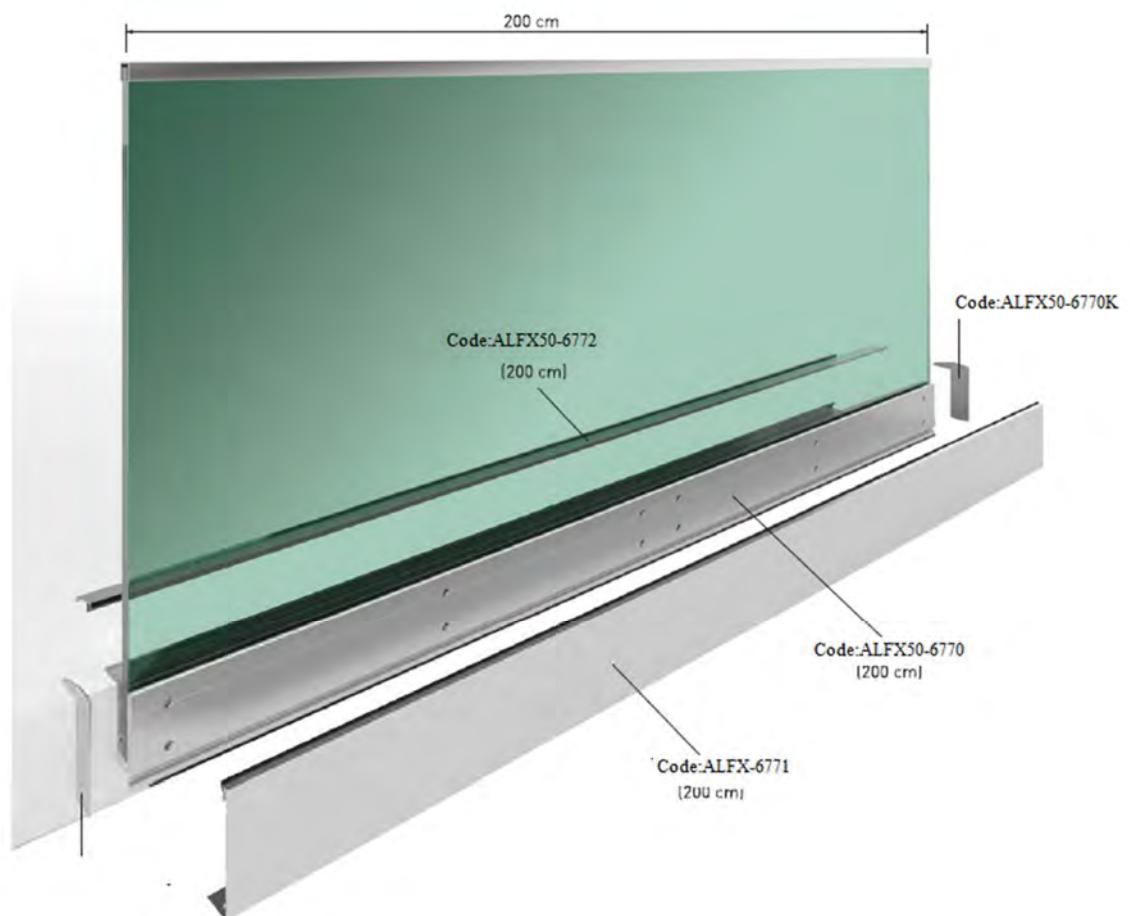


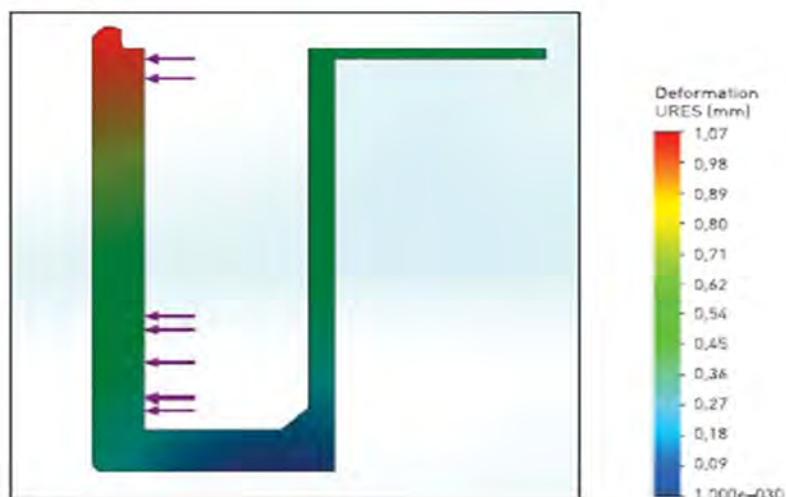
SUPPORT SYSTEM GLAS / ROSTFRIA RÄCKEN AB PARTILLE

ALFX50 SUPPORT SYSTEM

info@jkrostfritt.se



Rostfria Räckan AB / info@jkrostfritt.se / mob: +46(0)707-163959

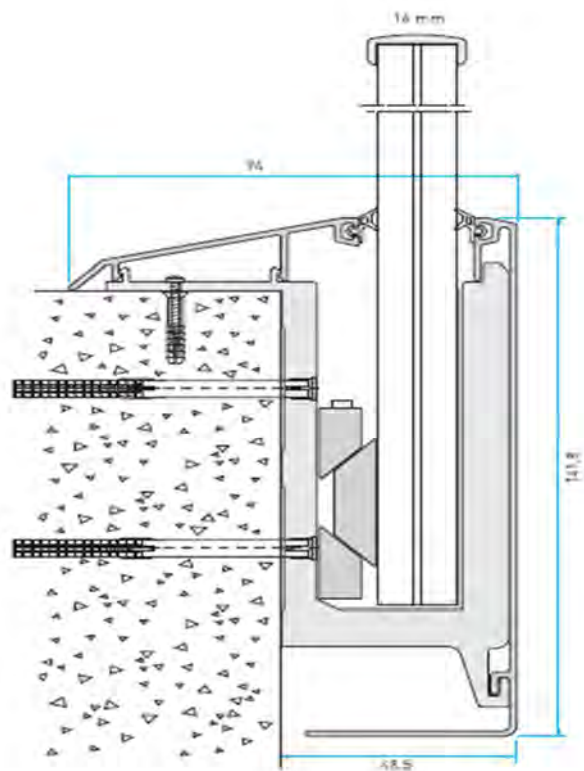


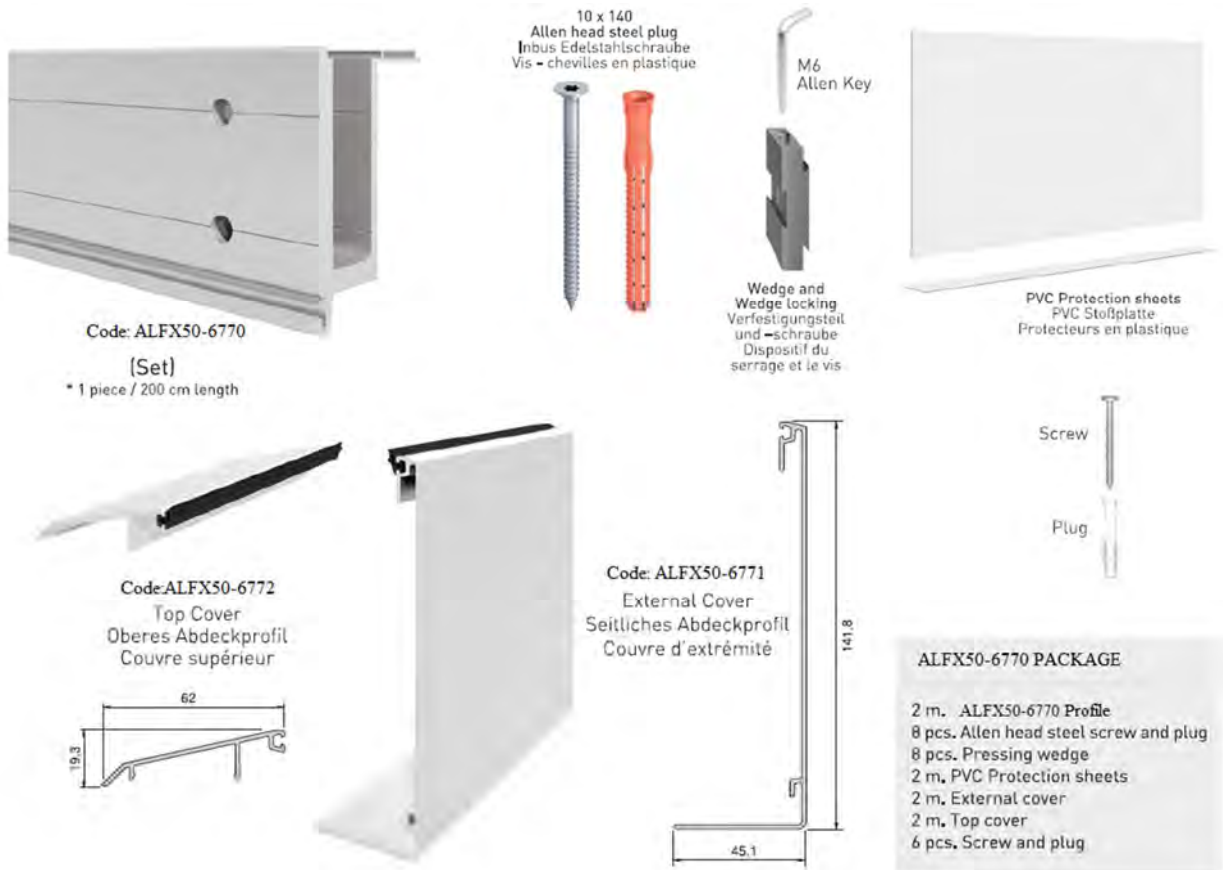
Mass/Block/Masse: 5.20198 kg
 Volume/Volumen/Volume: 0.00192666 m³
 Density/Dichte/Densité: 2700 kg/m³
 Weight/Gewicht/Poids/Force: 50.9794 N

Alloy EN AW 6063
 Stress and relocation
 results on 1 m. base
 profile with 500 kg
 horizontal load to the
 highest surface of the
 profile.

Belastungs- und
 Verlagerungsergebnisse
 auf 1 m. Basis Profil bei
 Belastung mit 500 kg,
 horizontale Belastung
 auf der höchsten
 Oberfläche des Profils.

EN AW 6063
 Le stress et le
 déménagement
 résultant sur la surface
 la plus haute de profilé
 de base de 1 m. à la
 suite d'une charge
 horizontale de 500 kg.



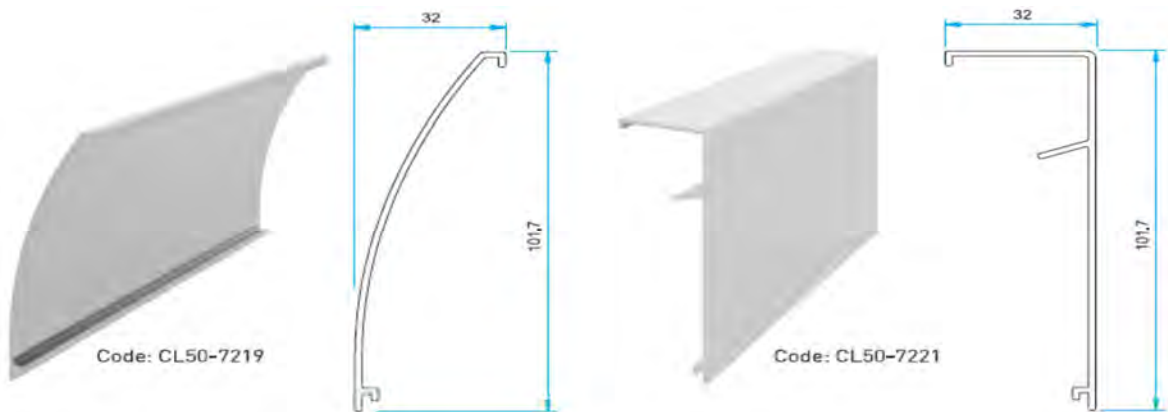
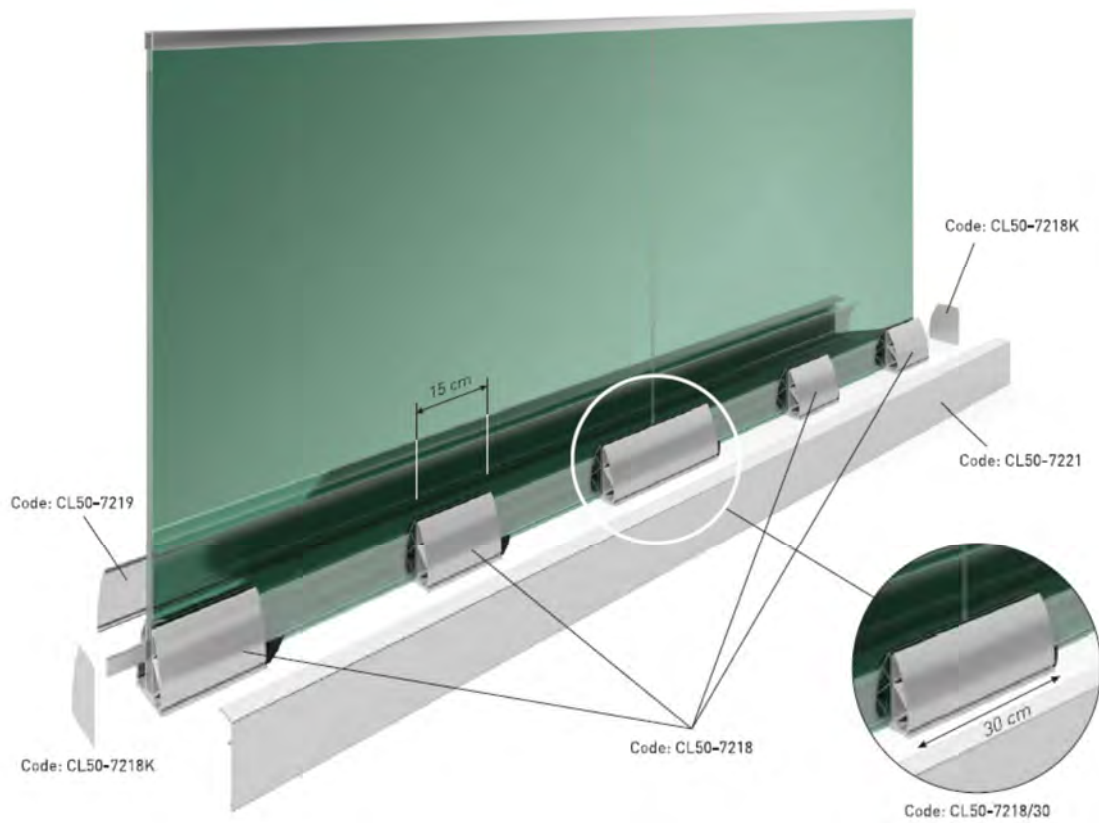


↓ Endcaps / Endkappen / Bouchons de fin

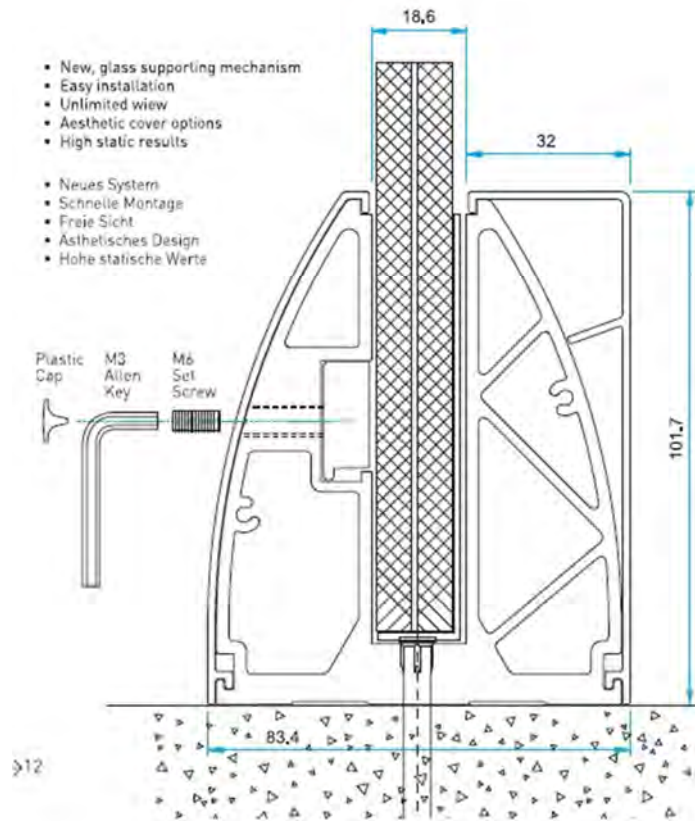


Rostfria Räckan AB / info@jkrostfritt.se / mob: +46(0)707-163959

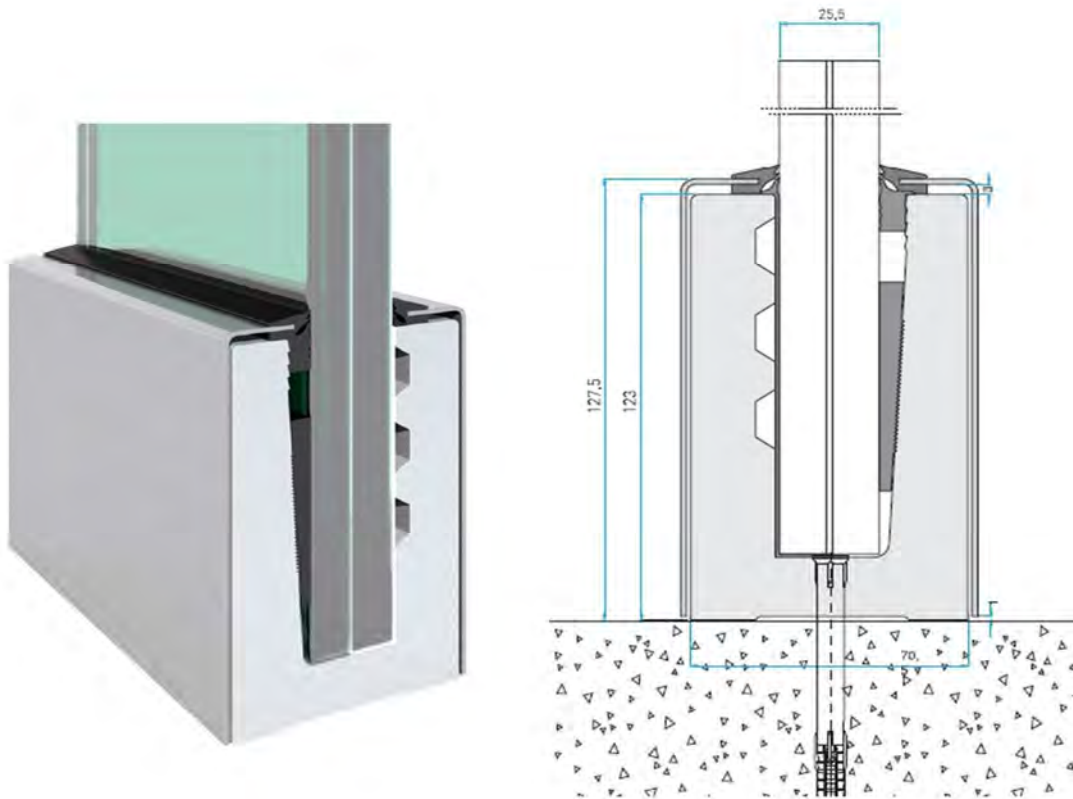
CL50 SYSTEM ELEGANT



Rostfria Räckan AB / info@jkrostfritt.se / mob: +46(0)707-163959



R50 SYSTEM ELEGANT



The other newest model of Elegant railing is R50. It is high quality system only for use in most prestigious, high class projects. It allows to use up to 25mm safety glass. Beside it's simplicity and aesthetic view, it's the last system which makes you feel best stability.

- Inox covers
- Unlimited view
- Aesthetic design
- Easy cleaning



Code: R50-6843
* 1 piece / 150 cm length

10 x 140
Allen head steel plug
Inbus Edelstahlsschraube
Vis - chevilles en plastique



Plastic wedge
Kunststoffkeil
Wedge



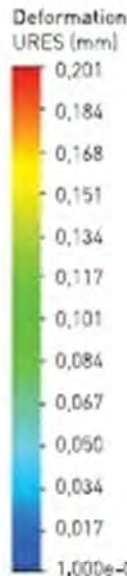
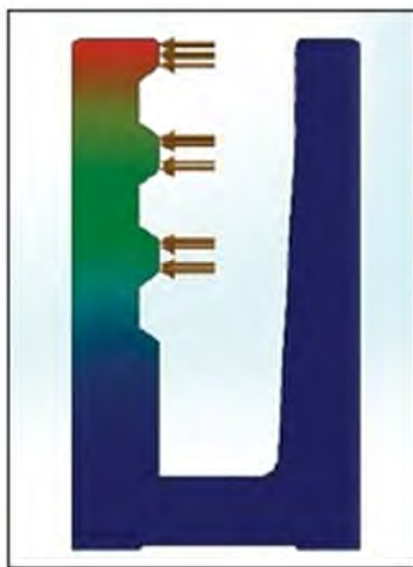
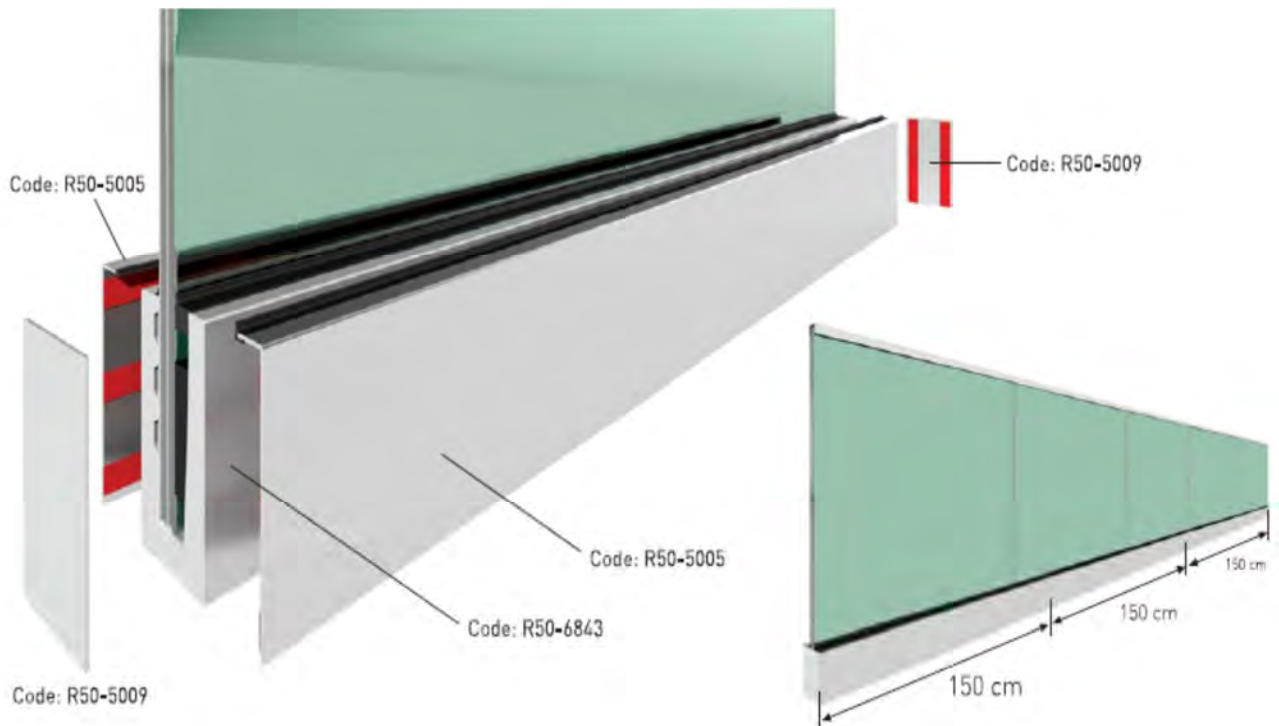
PVC Protection sheets
PVC Stoßplatte
Protecteurs en plastique

Gaskets
Les joints



R50 PACKAGE

- 1 pcs. R50-6843 Main profile (150 cm)
- 4 pcs. Expansion bolts
- 4 pcs. Pressing plastic wedge
- PVC Protection sheets and gaskets



- Couvre en **Inox**
- Visibilité illimitée
- Esthétique
- Nettoyage facile

Mass/Block/Masse: 13.8639 kg

Volume/Volumen/Volume: 0.00513479 m³

Density/Dichte/Densité: 2700 kg/m³

Weight/Gewicht/Poids/Force: 135,866 N

Alloy EN AW 6063
Stress and relocation results on 1 m. base profile with 1 tone (10.000 nt) horizontal load to the highest surface of the profile.

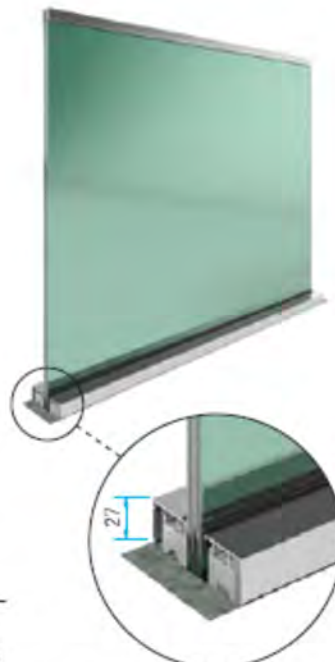
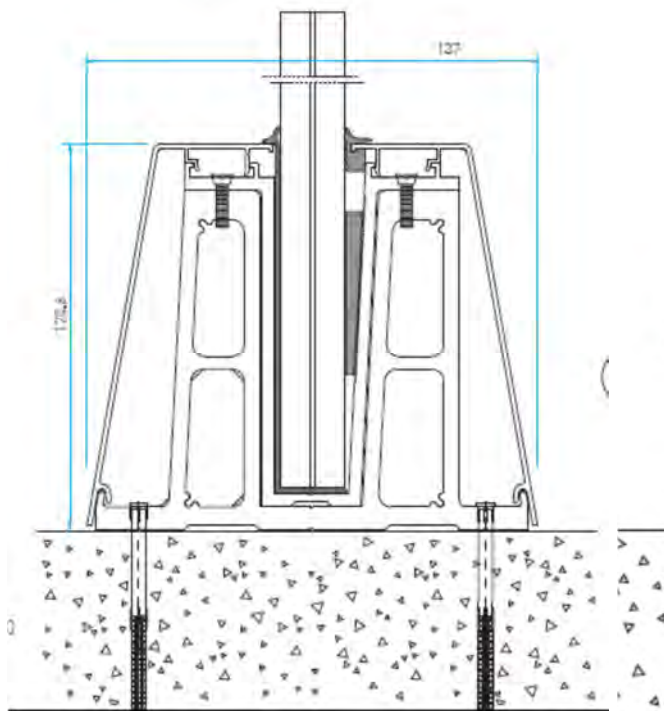
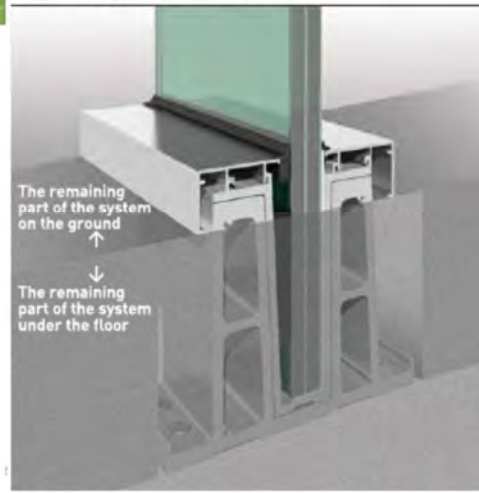
Belastungs- und Verlagerungsergebnisse auf 1 m. Basis Profil bei Belastung mit 1 Tonne (10,000 NT), horizontale Belastung auf der höchsten Oberfläche des Profils.

EN AW 6063
Le stress et le déménagement résultant sur la surface la plus haute de profilé de base de 1 m. à la suite d'une charge horizontale de 1000 kg.

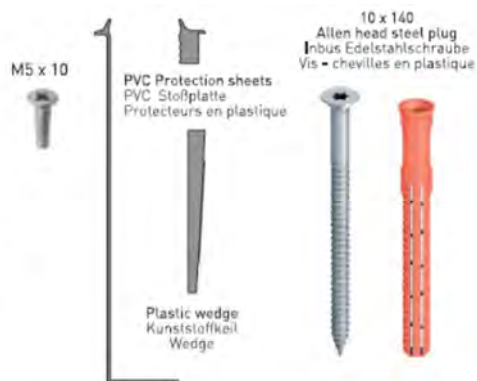
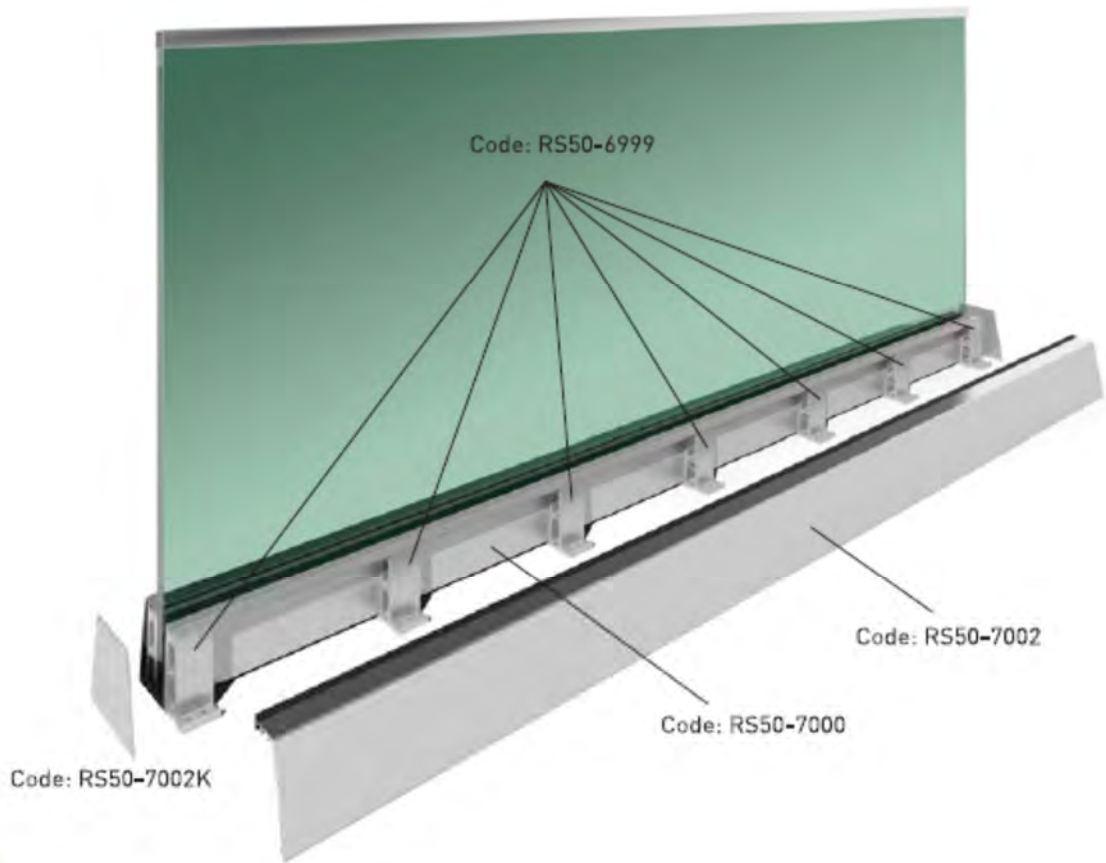
RS50 SYSTEM ELEGANT



In floor installation detail
Detailansicht: Montage im Boden versenkt
Details d'application dans le sol



View of in floor detail
Detailansicht: Montage im Boden versenkt
Vue sur le sol en détail

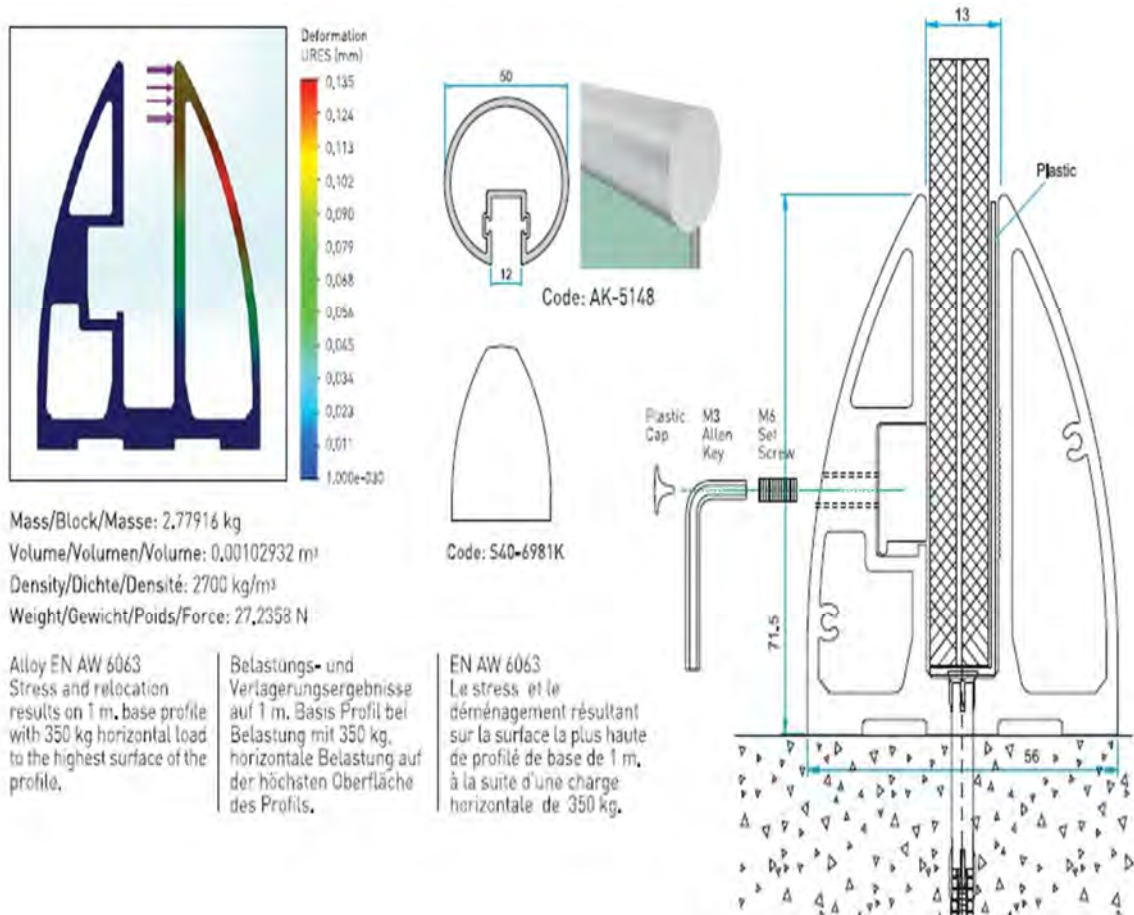


S40 SYSTEM ELEGANT



✚ Elegant S40 is the recent and most economic type in Elegant series which is suitable for 8 mm, 10 mm, 12 mm glass thickness. The glass is fixed with glass pressing mechanism in main profile. It gives aesthetic and sturdy results if it is supported with on-glass profiles connected to the wall.

Rostfria Råcken AB / info@jkrostfritt.se / mob: +46(0)707-163959

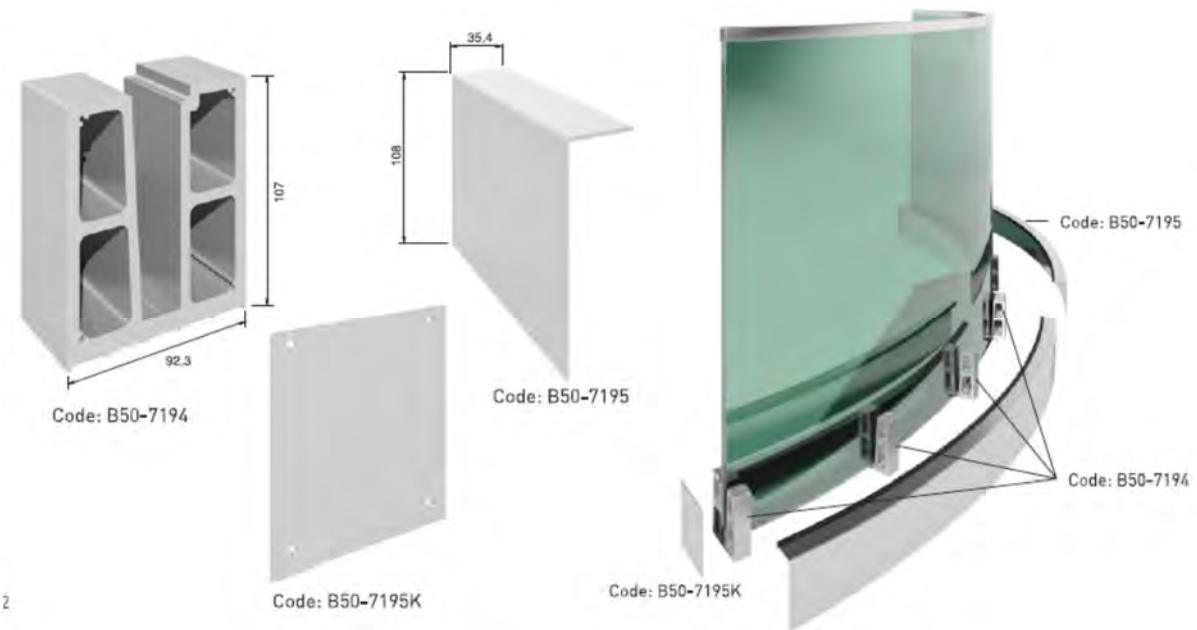


B50 SYSTEM ELEGANT

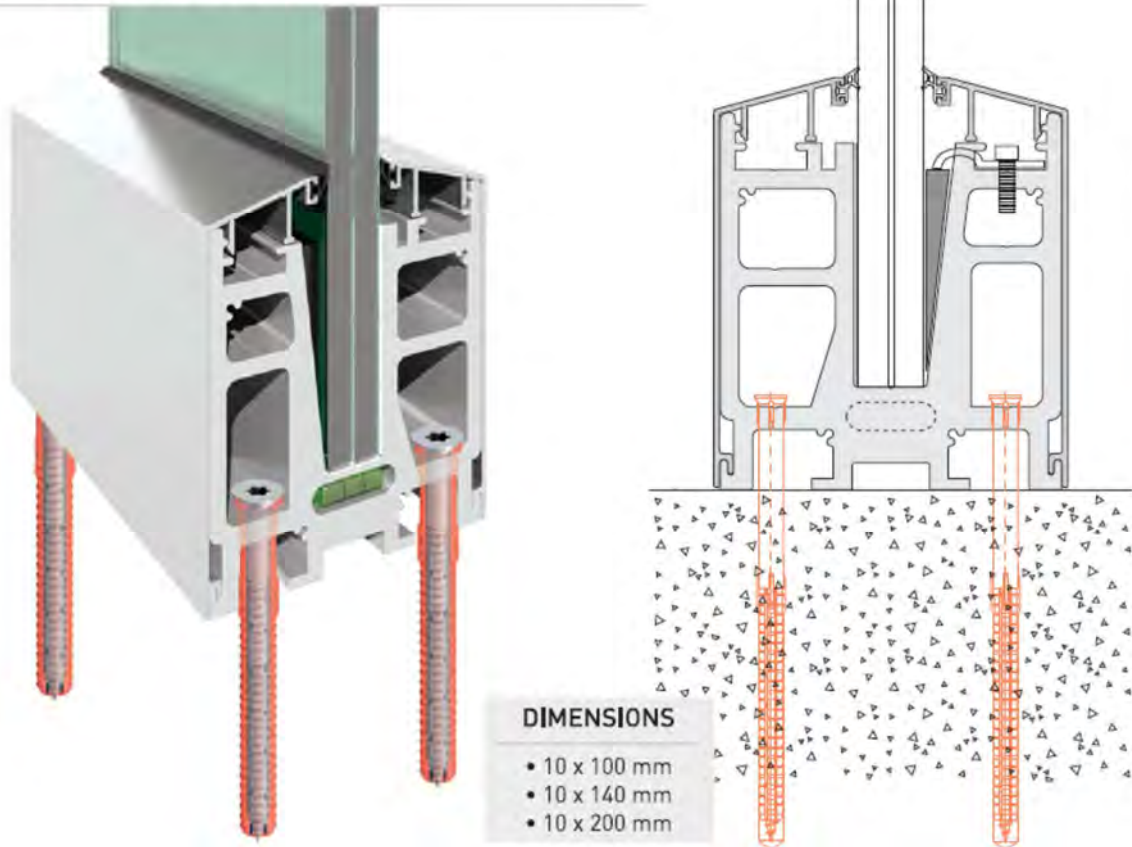


Rostfria Räckan AB / info@jkrostfritt.se / mob: +46(0)707-163959

Elegant railing system which has on-floor, in-floor, external facade connection types, it also coming into prominence with curved system, It has the same logic with Elegant C50 but it is designed for curved areas.



Usage Type of Expansion Bolts / Nutzung der Schrauben und Dübel
 Comment utiliser des vis et des chevilles

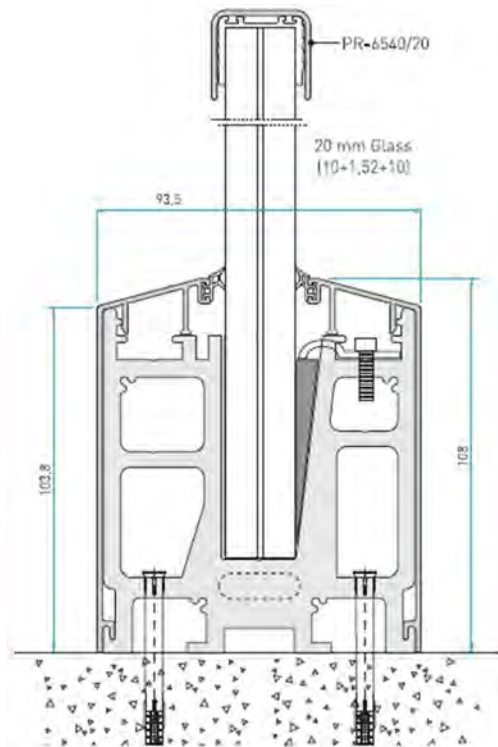


C50 SYSTEM ELEGANT

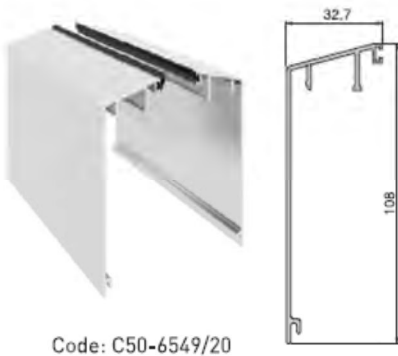
C50 20 mm GLASS USING DETAILS



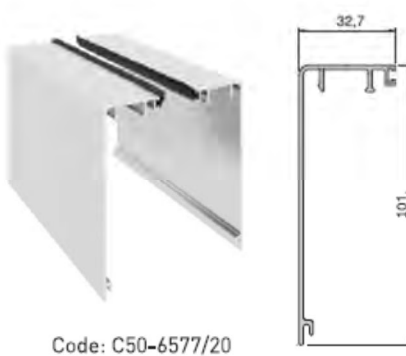
C50



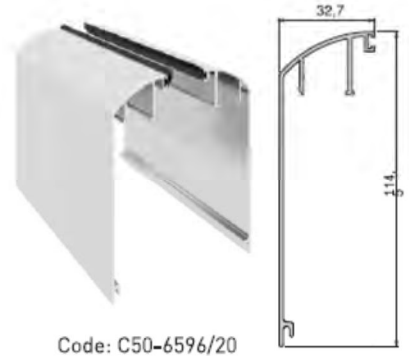
PATENTED
PT BSV NO
2011/09444



Code: C50-6549/20



Code: C50-6577/20

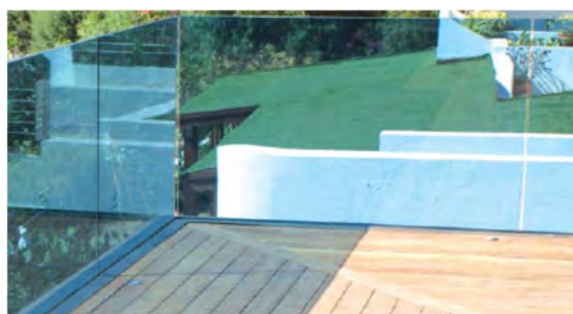
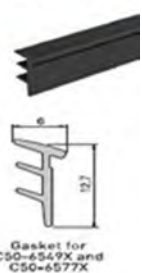
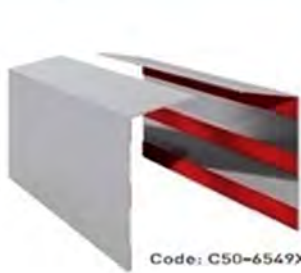


Code: C50-6596/20

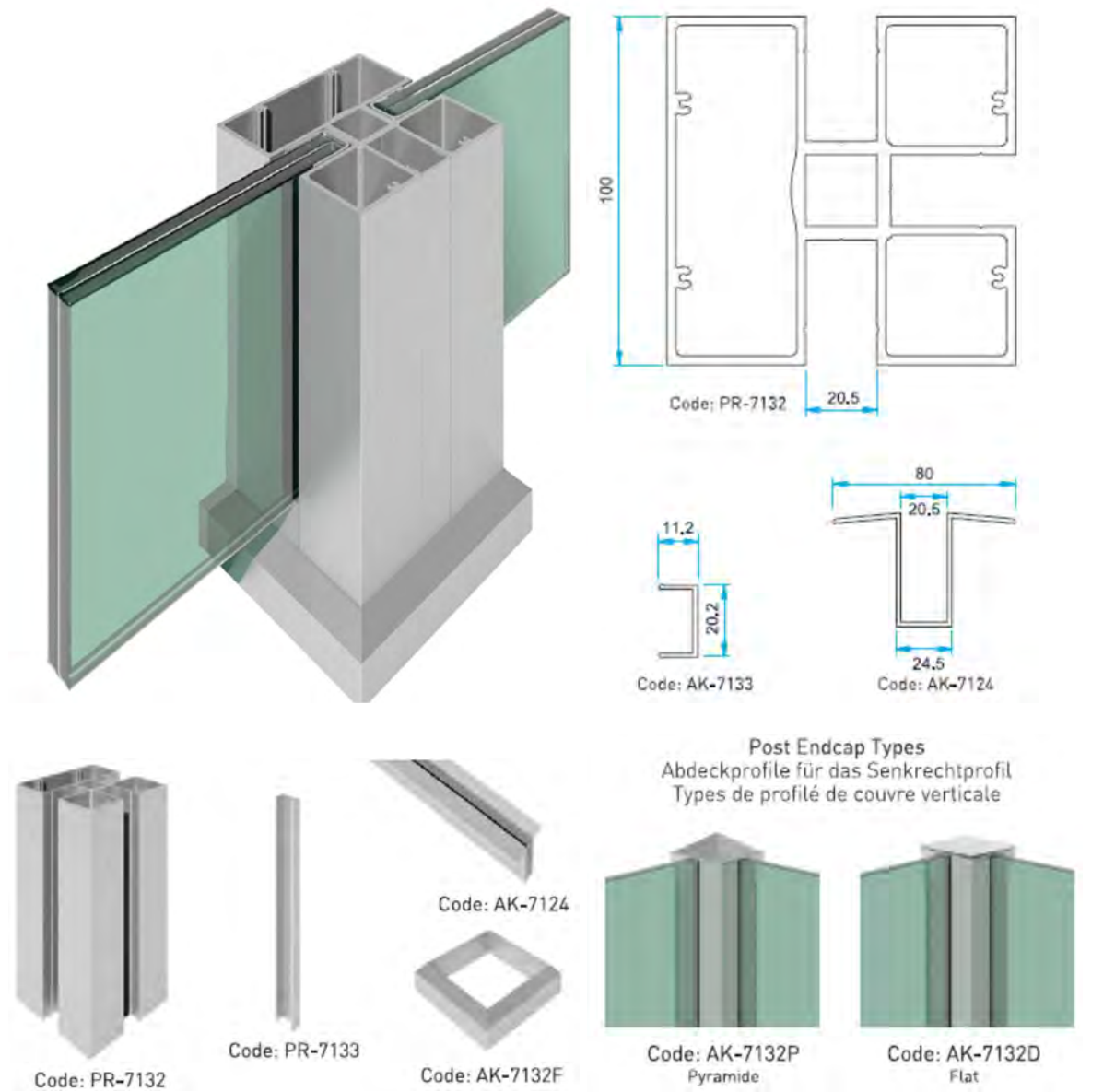


INOX Covers

Couvre en INOX

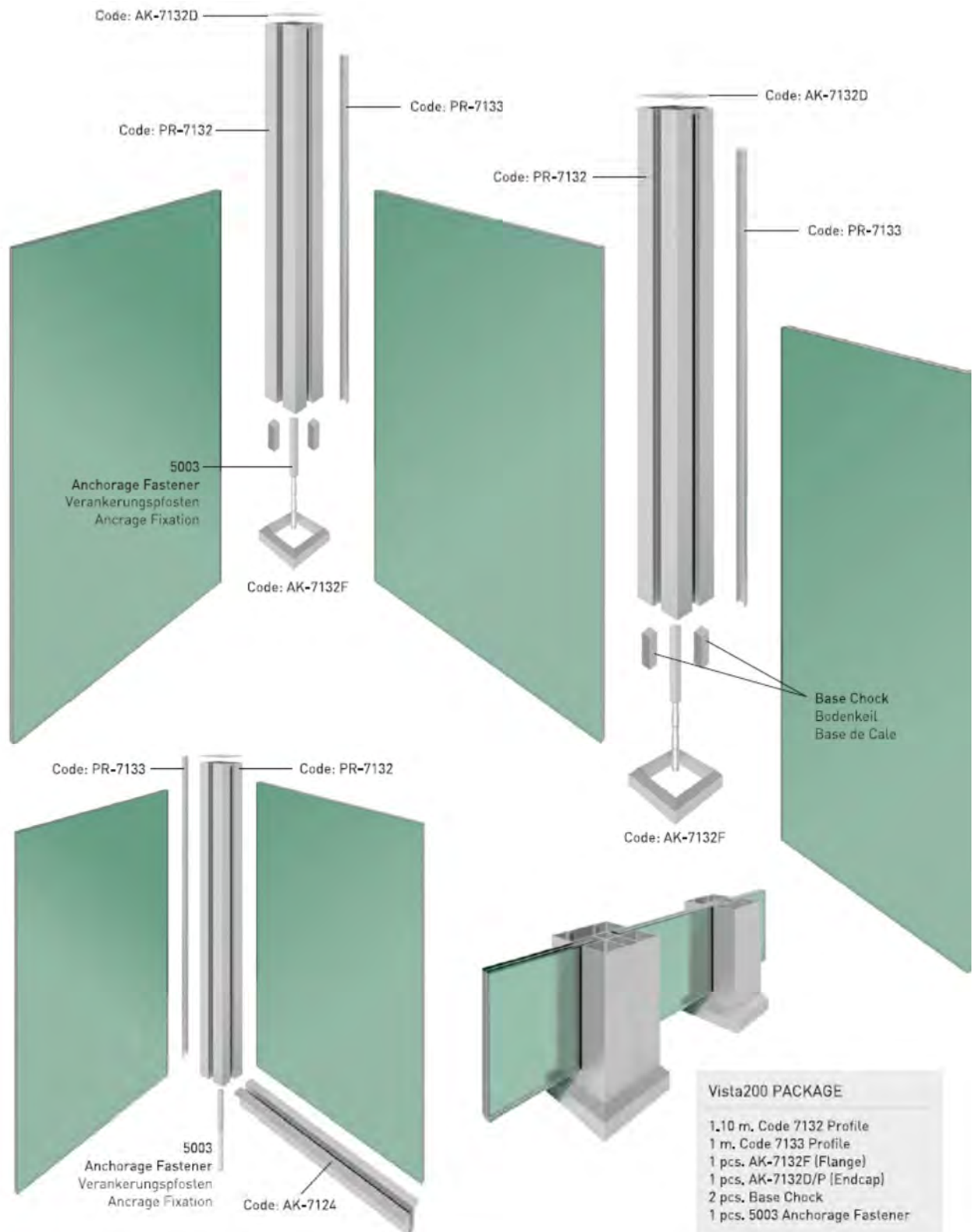


SYSTEM VISTA 200




Rostfria Räckan AB / info@jkrostfritt.se / mob: +46(0)707-163959

SYSTEM VISTA 200



SYSTEM AL50



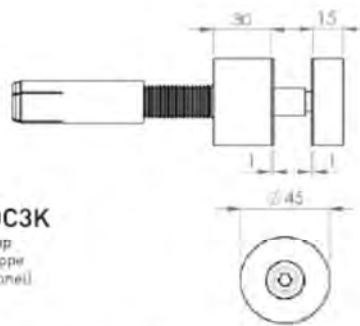
 AL50 model is an alternative solution to the external connection system. It's montage is very easy with a fixing accessory. It enriches the view of balconies and stairs and expands the areas,

- Easy montage
- Aesthetic view
- Unlimited view
- 16 - 20 mm Glass Options

Rostfria Räckan AB / info@jkrostfritt.se / mob: +46(0)707-163959

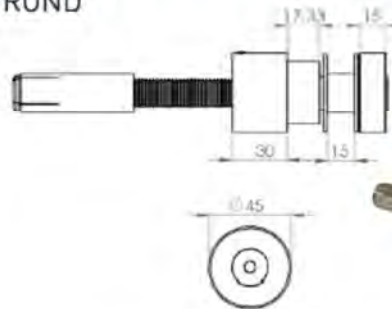


Code: AK-5008DC3

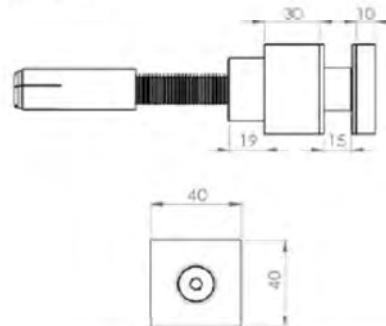


↓ Adjustable Spider Type / Einstellbare Spinne Typ / Modèles Spider Réglables

ROUND TYPE / RUND MODELL / MODELE ROND



SQUARE TYPE / KARO MODELL / MODELE CARRE

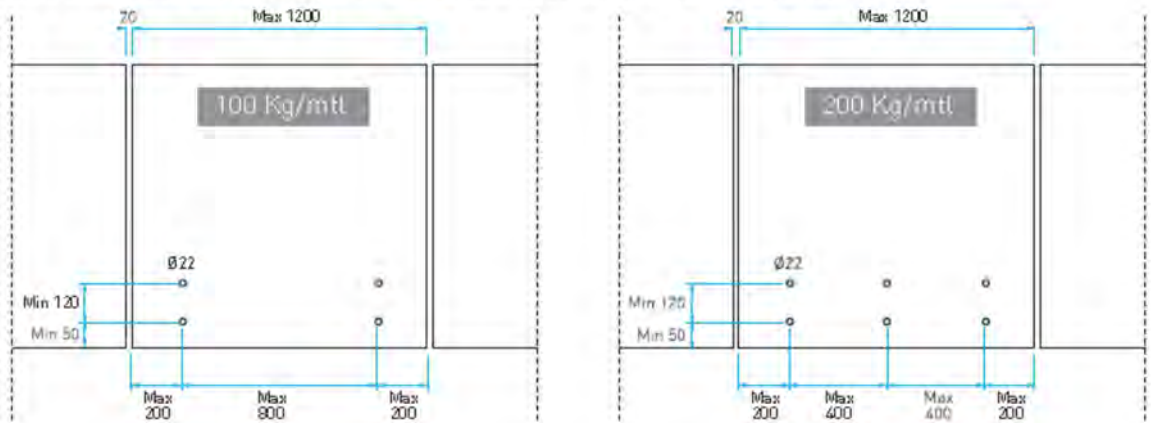


↓ 8+8+1,52

Installation Guide on Glass (Hole Drilling Dimensions)

Montage Entsprechend zum verwendeten Glas (Abmessungen für Glasbohrung)

Schéma d'installation par le verre de 8 + 8 + 1,52 (Distance de perçage sur le verre)



Handledare för glas

PR-6948/20	PR-6423/20	PR-6539/20	PR-6832/20	PR-6540/20	PR-6728/20
On glass profile for 12 mm safety glass with gasket inside		On glass profile for 16 mm safety glass with gasket inside		On glass profile for 20 mm safety glass with gasket inside	
12 mm Glas [mit Dichtung] Verre de 12 mm avec joint		16 mm Glas [mit Dichtung] Verre de 16 mm avec joint		20 mm Glas [mit Dichtung] Verre de 20 mm avec joint	
	Code: PR-6948/12	Code: PR-6948	Code: PR-6948/20		
	Code: PR-6423/12	Code: PR-6423	Code: PR-6423/20		
	Code: PR-6539/12	Code: PR-6539	Code: PR-6539/20		
	Code: PR-6832/12	Code: PR-6832	Code: PR-6832/20		
Horizontal & Vertical Corners for PR-6540					
	Code: PR-6540H	Code: PR-6540/12	Code: PR-6540	Code: PR-6540/20	
	Code: PR-6540V		Code: PR-6728	Code: PR-6728/20	